

FUNKTION-ONE

RESOLUTION 2

This portable 'full-range' system is probably the smallest fully horn loaded enclosure available. Its unique combination of compact size, weight and sonic excellence, make it equally suited for use by discerning musicians as well as by sound consultants in demanding projects. From small to medium club venues to critical AV and pro sound reinforcement applications, this loudspeaker system resolves the requirement for quality, response and level from a small source. The Resolution 2 is increasingly acclaimed as the dj monitor of choice. If even more bass 'weight' is required, a pair of Resolution 2s can be used with a single Infrabass - the transition is seamless.

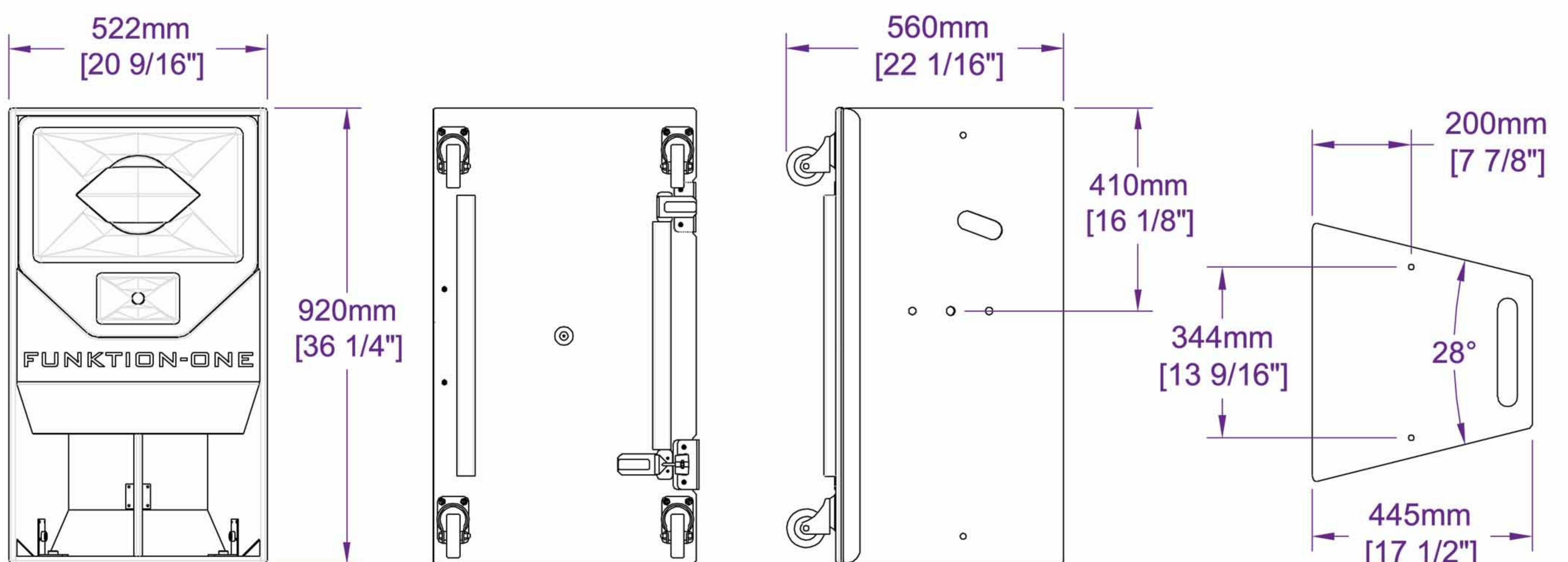


Features:

- Full range, stand alone enclosure
- Fully horn loaded
- Three-way bi-amped
- Controlled dispersion
- Minimal size and weight
- Funktion One designed drivers
- Stunning aesthetics
- Complete range of flying and mounting options
- Optional Wheelboard
- Optional fine cloth scrim grill in grey or black
- Funktion-One Violet or Silver finishes

Driver	Freq. Band	Sensitivity (1W at 1m)	Power (rms)	Nominal Impedance
15"	50 - 250 Hz	102 dB	400W	8Ω
8"	250 - 6k5Hz	106 dB	80W	} 12Ω Total
1"	6k5 -17kHz	107 dB	50W	

Frequency Response \pm 3dB: 50Hz - 17kHz
 Weight (without wheelboard): 42 kg (92 lbs)
 Nominal Dispersion: 50° Horizontal x 25° Vertical
 Connectors: 2 x Speakon 4 Pole (NL4)



HC2

WM2

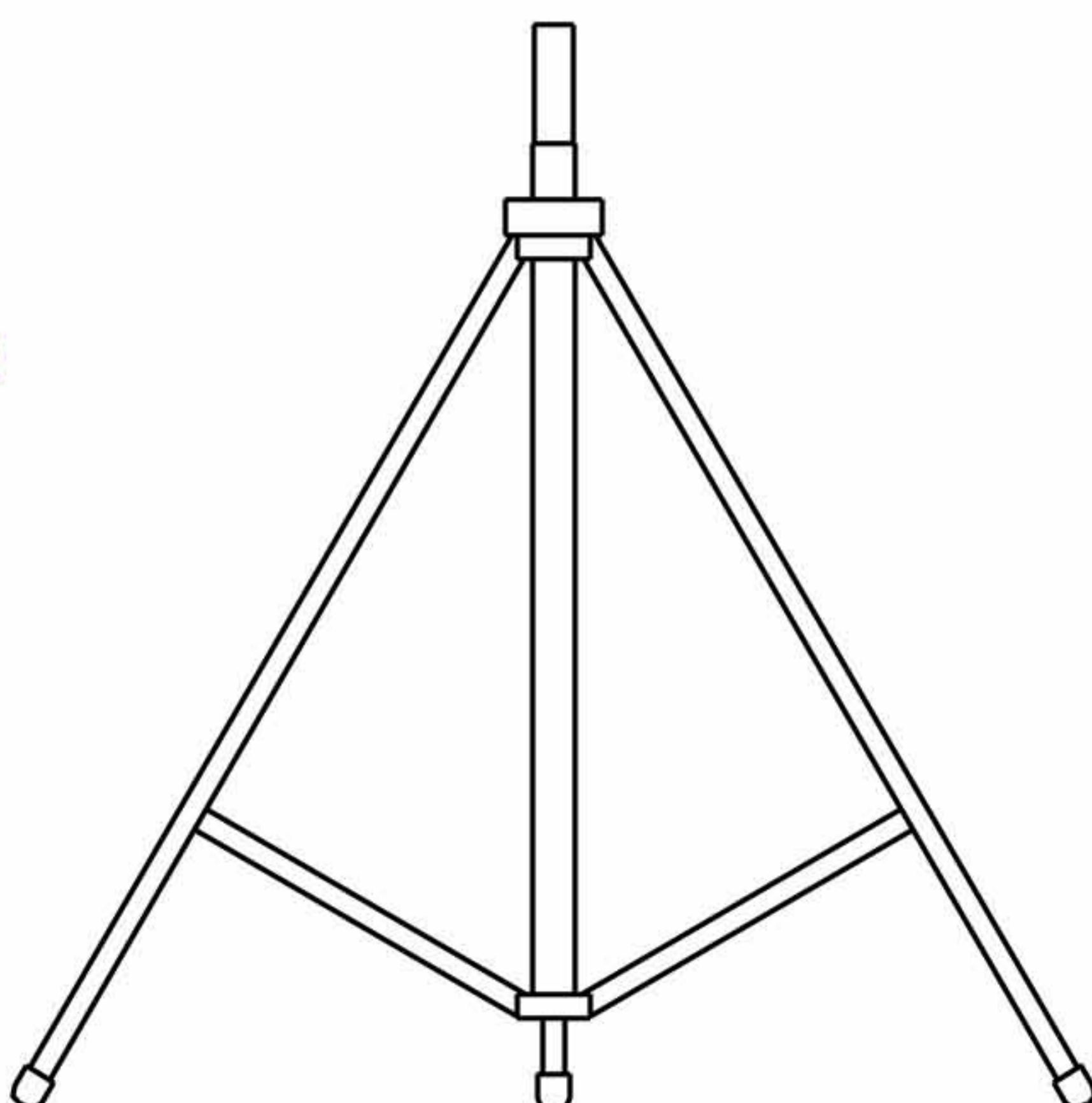
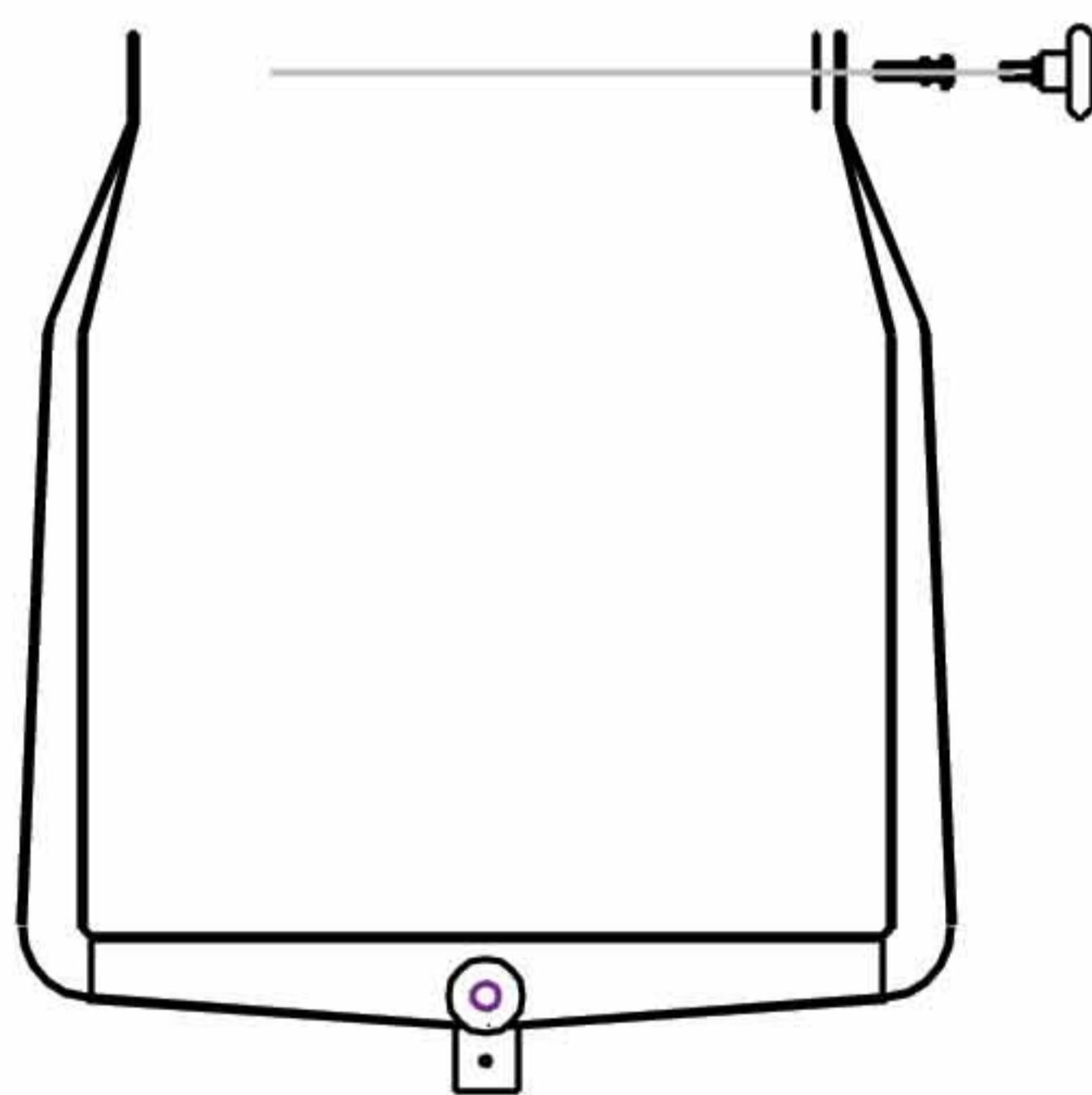
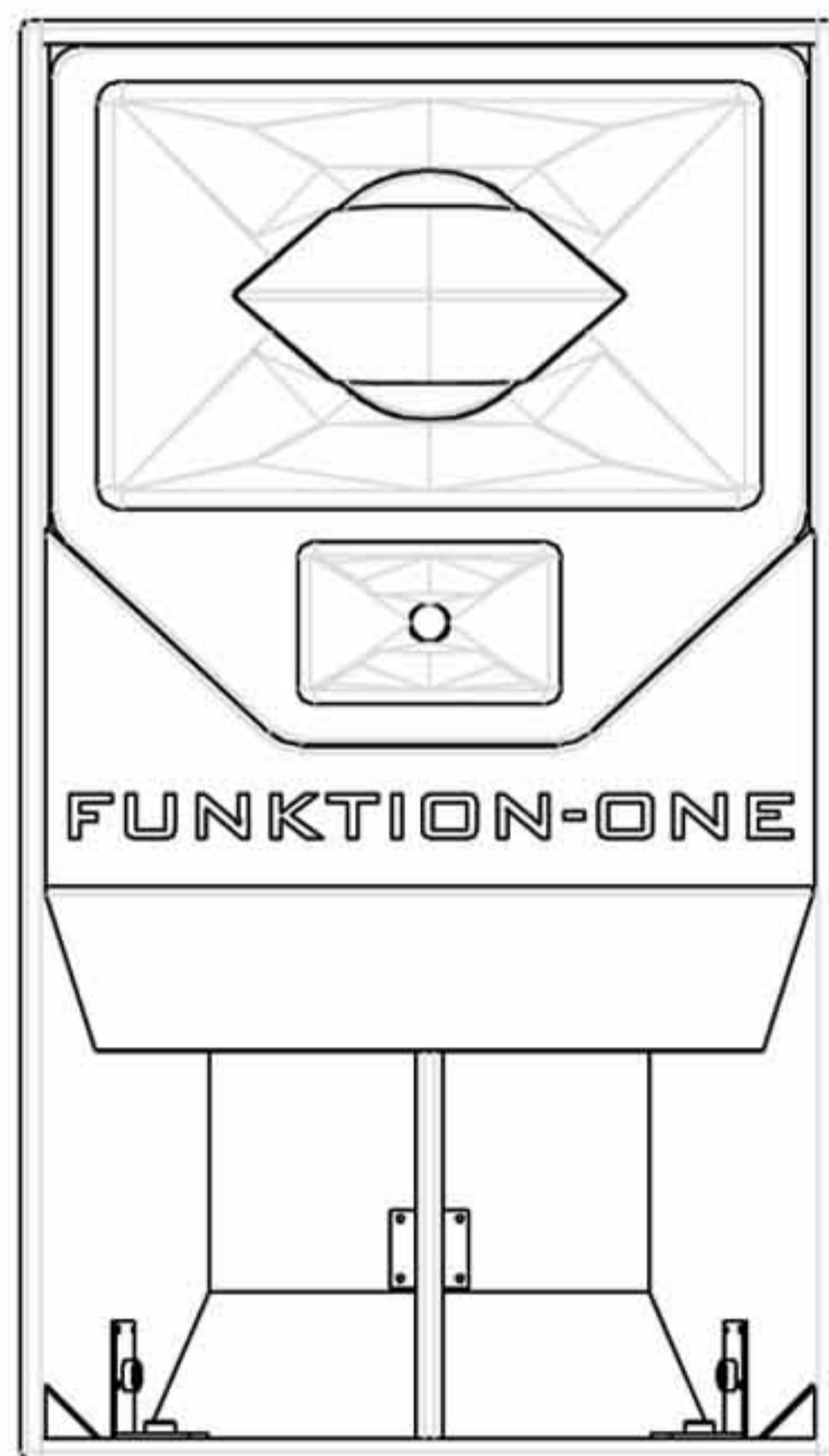
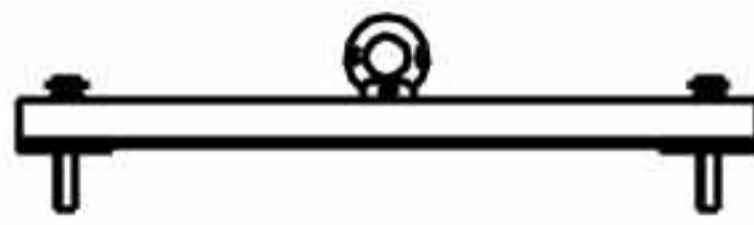
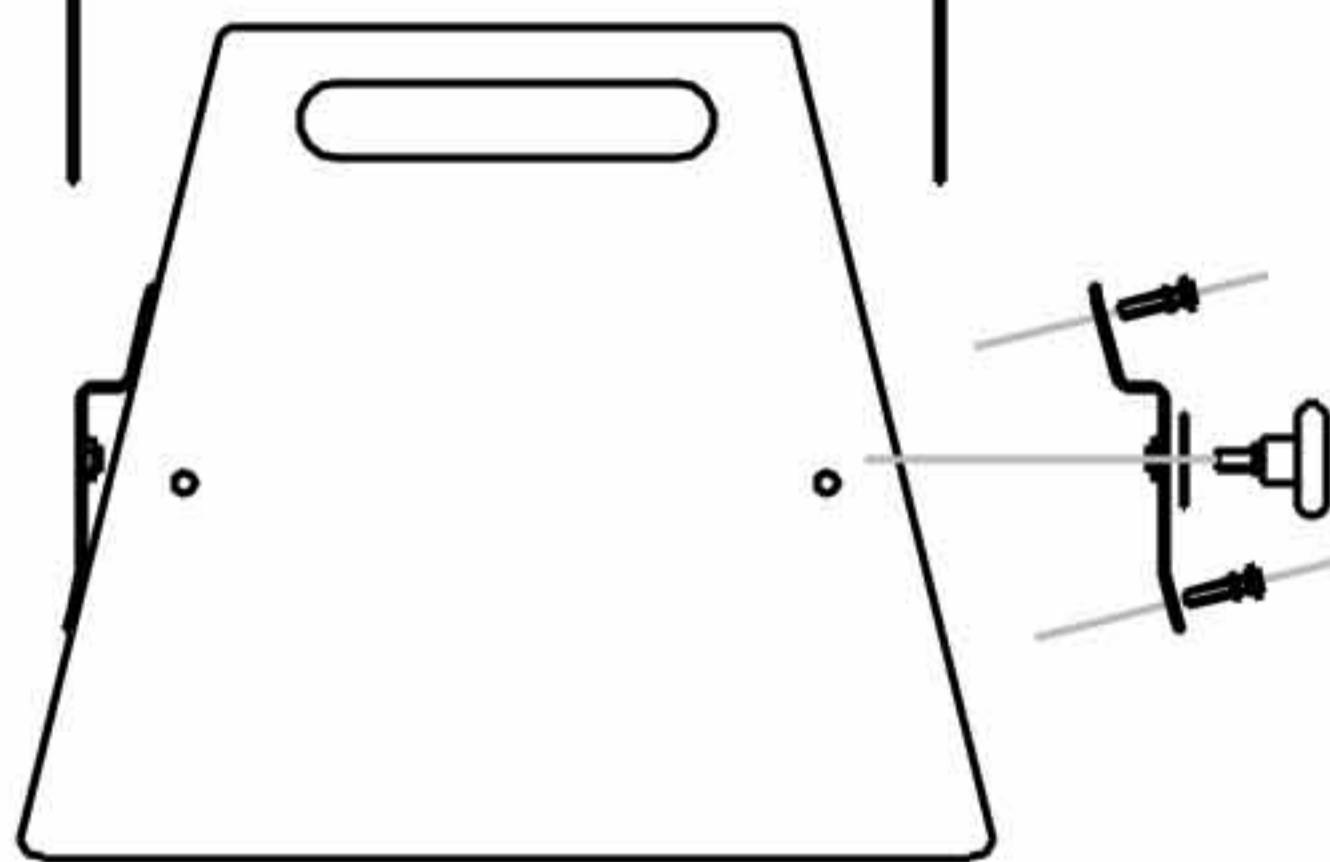
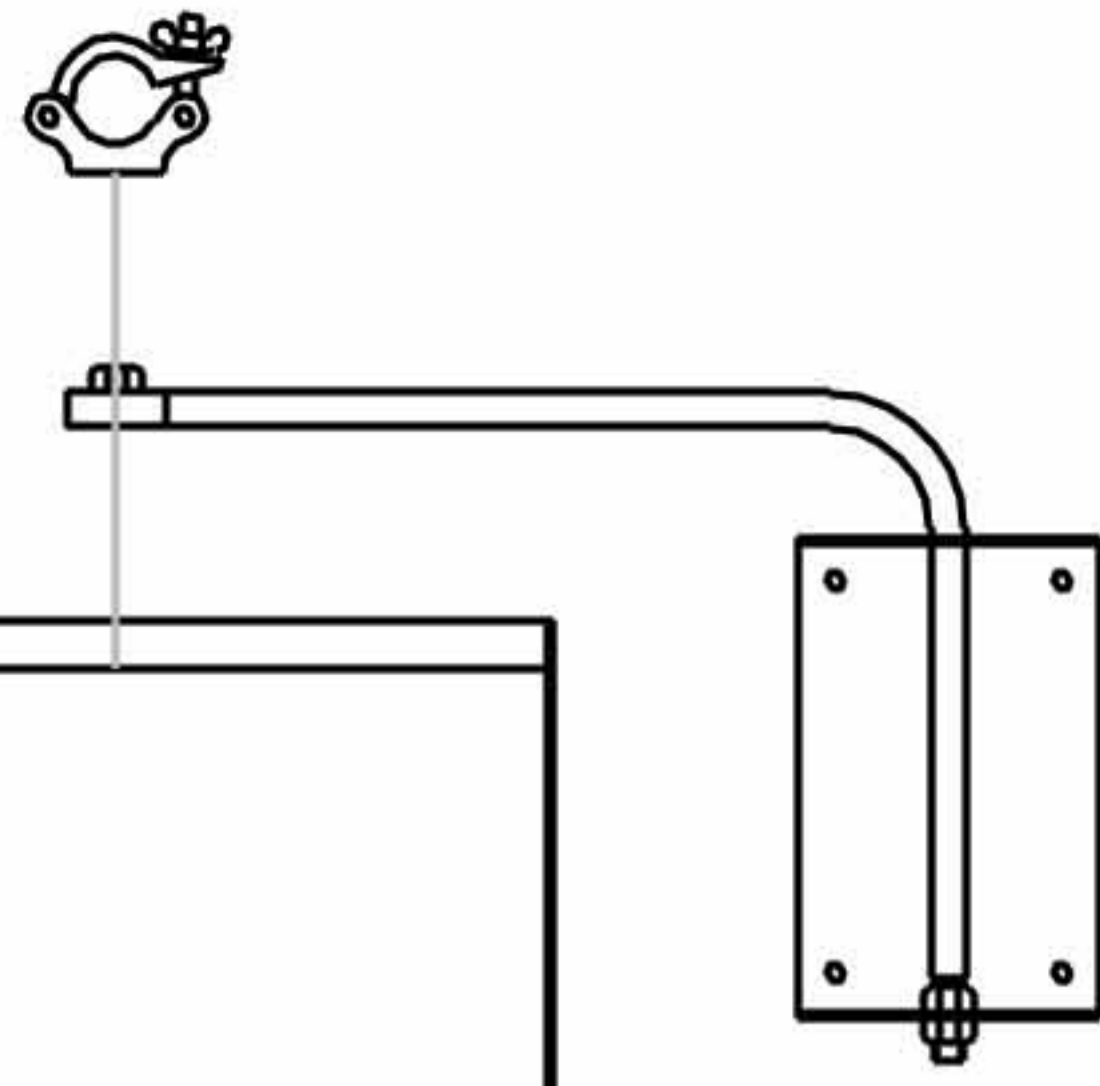
YS2-K

SB2-K

FB21

YU2-K

SS2



HC2 Scaffold Clamp used to attach YS2 or YU2 to Scaff bar.

WM2 Wall Mount Kit used in conjunction with YS2 Yoke. (If arm is perpendicular to wall then the Resolution 2 can be angled down with a maximum angle of 32 degrees).

YS2-K Simple Yoke picks up Resolution 2 from the SB2 Squaring Brackets. This is designed without the clearance to allow full cabinet rotation but is ideally suited to top support, tilt down applications.

SB2-K Squaring Brackets attach to both sides of the Resolution 2 providing parallel surfaces to accept either type of yoke (YS2 or YU2).

FB21 Single Flybar provides an alternative single point lifting method and attaches to internal plates at the top of the Resolution 2..

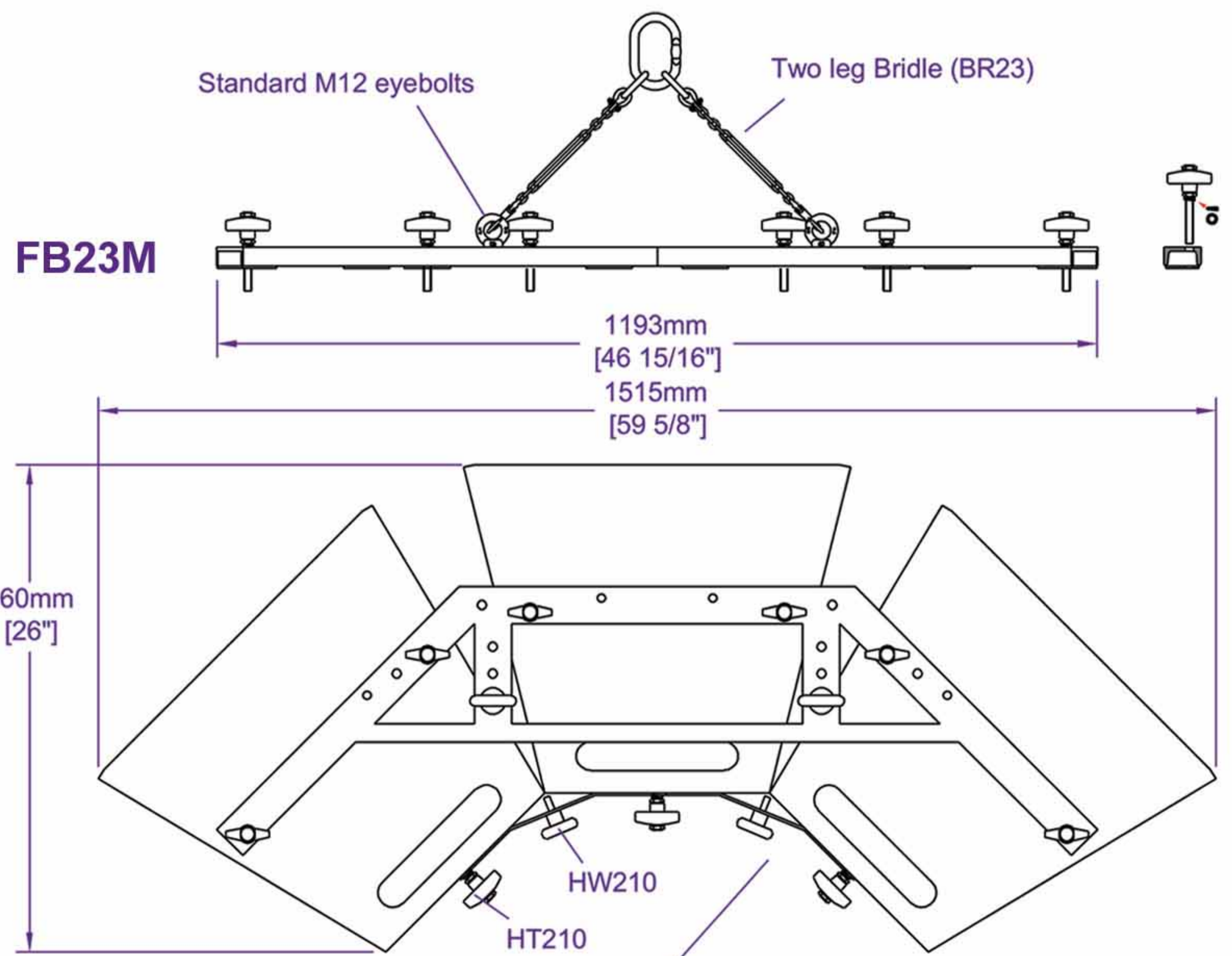
YU2-K Universal Yoke has clearance to allow the cabinet to fully rotate between the supporting arms and attaches via the Squaring Brackets. It can be used in both bottom support or flying applications. (If a cost effective flying only yoke is required we recommend the YS2 Simple Yoke described above).

SS2 Loudspeaker Stand appropriate for mounting the Resolution 2 on a YU2 Universal Yoke.

FB22 Two wide Flybar (not shown) uses the same design principles employed in the FB23M pictured below.

FB23 Dedicated Three Wide Flybar (not shown). Does not fly two wide.

FB23M Three Wide Multi-Point Flybar facilitates flexible 1, 2 or 3 wide, single row flying as shown below. (Two wide shown to different scale).



Two Joining Plates (JP2) at lower back of cabinets hold them together and provide pick-up points for the ratchet tilt-strap, the other end connecting to the ring at the top of the bridle.

FB23M

