

Easy Port-Series

Wireless Speaker Systems.



FP2 CD

The Easy Port FP2 is the most powerful wireless speaker system manufactured by Fohhn. An enormous range of application options and high output twinned with compact dimensions and low weight make this system one of a kind. Operation is simple and unambiguous, the controls are user friendly.



Infrared remote control for the CD player.



Apart from audio CDs, the player can also play CD data files saved in **MP3 format**. **USB interface:** to play data files stored on a flash memory stick. Infrared remote control for the CD player.

Description

The new generation of wireless speaker systems. Battery-operated active speaker system, processor-controlled amplifier, 60 W, 4-channel mixer, 2-band tone control. maximum dimensions for 9.5"-wireless receivers are 212 x 240 mm (integration of 1 receiver) and 212 x 185 mm (integration of second receiver).

The Easy Port FP2 CD is equipped with an additional high-quality disc player. The CD player is robust, easy to operate and has excellent sound properties.

Applications

Ideal for both indoor and outdoor applications. Whether used for the Mayor's election, speeches in the market place, sportsday presentations, the Easy Port FP2 CD can easily cater for up to 350 people.

Technical Specifications

Power output	60W
Components	8" / tweeter with short horn
Efficiency 1W / 1m	100dB
SPL peak	125dB
Frequency response (-6dB)	65Hz - 20kHz
Dispersion H x V	80° x 80°
Mixer inputs	2x wireless mic 10kOhm 2x wired mic, XLR, 2kOhm 12V phantom power 2x Line, cinch, mono sum 1x Line, XLR symmetric
Outputs	1x Line, XLR symmetric 2x Line, cinch, mono sum

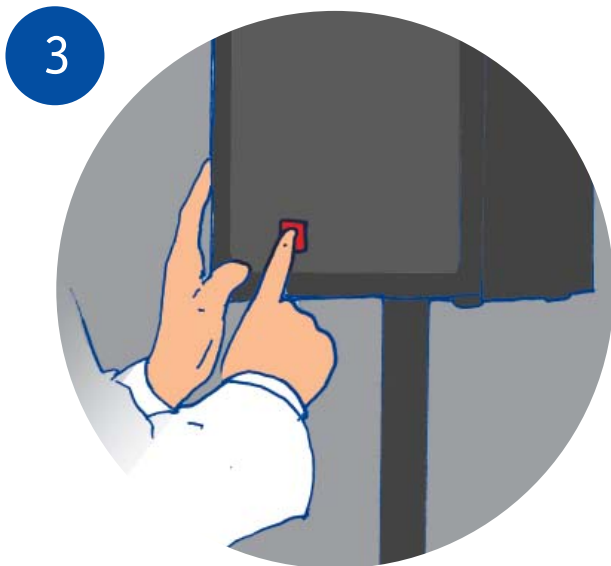
Operation

With its integral high-power battery, processor controlled amplifier, wireless microphone and 4-channel-mixer the FP2 CD needs no cables to be operated and no power supply. You can adapt 2 microphones to an auxiliary device quickly and easily via the user friendly 3-channel mixer. The 2-band sound control configures the system perfectly to achieve the required sound. Ready to start your presentation in 2 minutes without requiring previous technical know-how.

Options

- Up to 2 optional radio microphone systems Fohhn EP-64 Set or conventional 9.5" radio receivers (max. 212 x 160mm WxD) can be connected to any FP2.
- Connection of passive additional loudspeaker Easy Port FP2 slave for extended sound production.

Tone control	Bass, Treble (shelving)
Processor functions	Limiter with auto-subsonic Automatic speech filter
Dimensions (WxHxD)	24x51x27cm
Weight	12kg
Default color	black
Power supply	230V AC
Battery	12V / 7.2Ah
Operating time approx.	8 - 20 hours



Easy set-up and simple operation.

Easy Port speaker systems are quick and easy to set up. 2 minutes and you are ready to start making your speech. Simply set up the Easy Port, switch on and speak into the microphone. The clearly laid out controls on the back of the unit are extremely user friendly and no special previous technical know-how is required to operate the system.



FP2 slave
passive additional loudspeaker
for extended sound production



Rain cover
Sound transparent rain covers
are available for all Easy Port
models. Offer maximum
protection against moisture
and dust.



**Loudspeaker stand
economy**
High-quality stand for placing
your speakers securely in the
perfect position.



Padded carrying bag
Ideal protection and simple
transportation. Made from
hard-wearing material,
attractive appearance. Integral
side pouch for microphones
and cables. With 2 carrying
handles and a shoulder strap.



SA-2
Reducing flange, 36mm dia. with
M8x18mm male thread
included!



SHP2
SHP2 Stand bracket for FP2
with stand adapter,
unscrewable



Carrying bag for 2 stands
Convenient transportation of
speaker and microphone stands



Music Tray
Tray for portable music-playing
equipment + microphone, easy to
mount to speaker stands,
aluminium



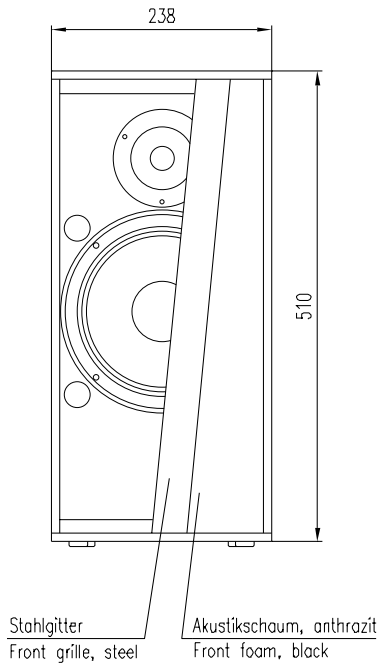
WHP1
WHP1 Wall bracket speaker
removable



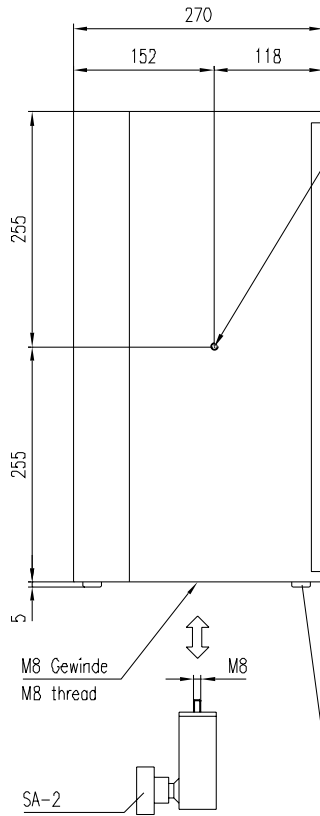
WHP2
WHP2 Wall bracket for FP2,
pivots and tilts.

FP2 CD – Dimensions

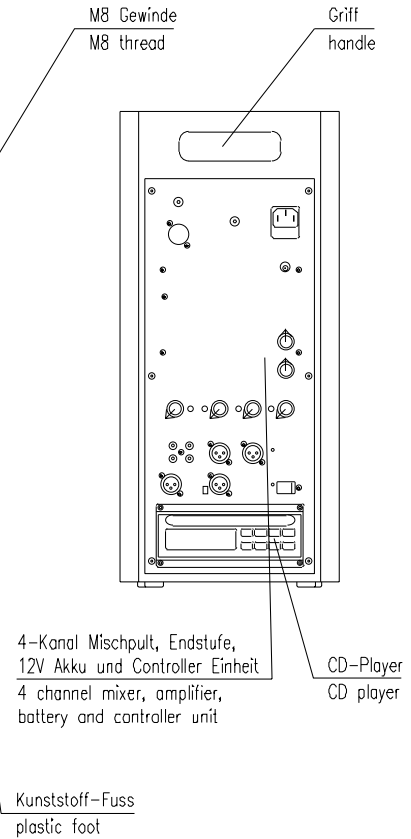
Front view



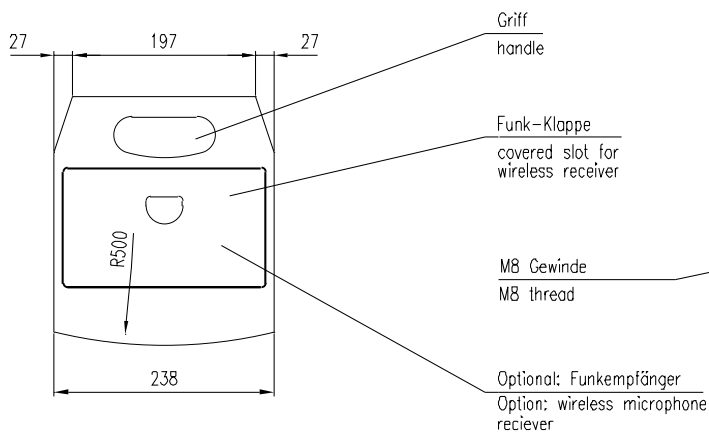
Side view



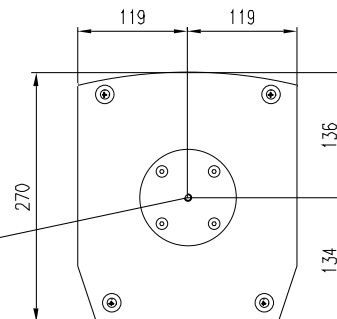
Rear view



Top View

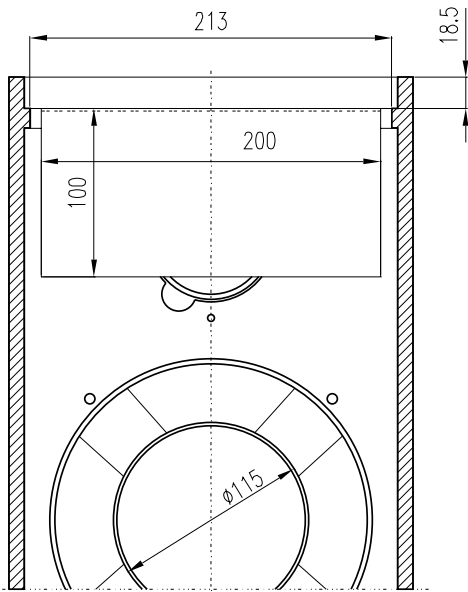


Bottom view

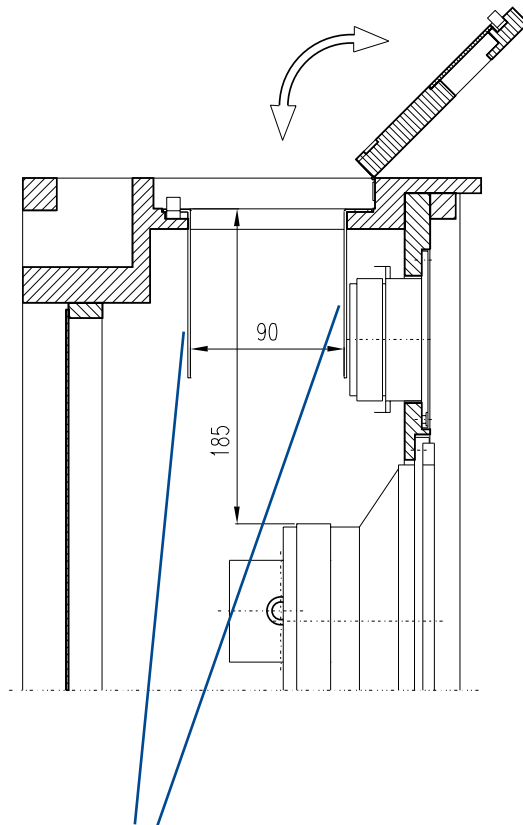


FP2 CD – Installation slot for a wireless receiver

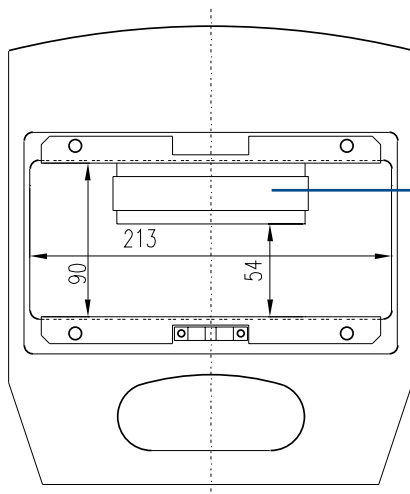
Front view



Side view



Top View



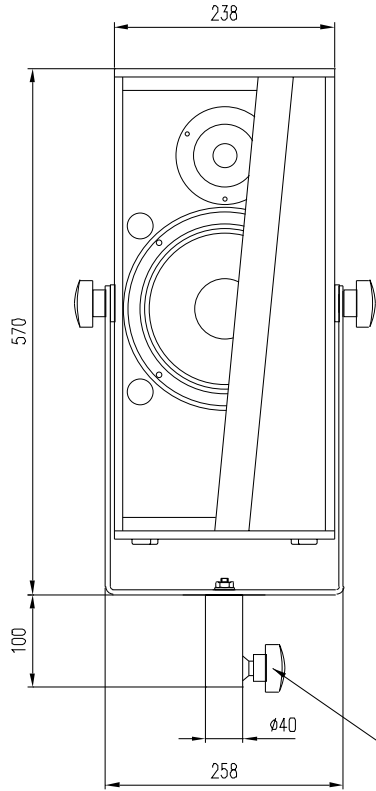
Mounting bracket to which the radio receivers are attached (adhered).

Please include the speaker magnet in your plans. There are radio receivers where the connecting jacks are rather inconveniently fitted centrally.

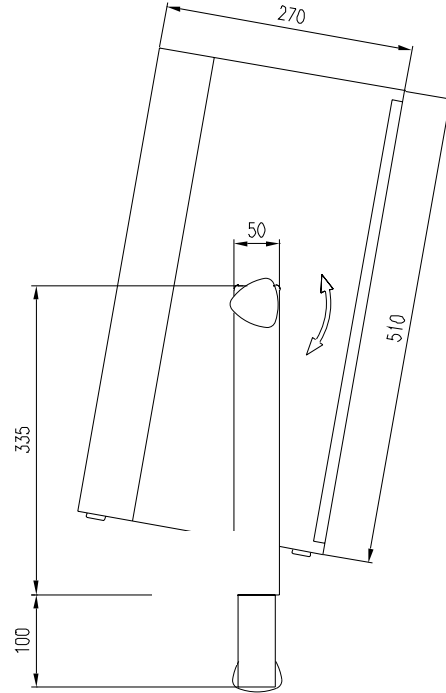
The installation slot is limited and should be checked in advance. When planning, take into account the dimensions necessary for the jack, XLR and DC connectors.

FP2 CD – Set up with stand bracket SHP2

Front view

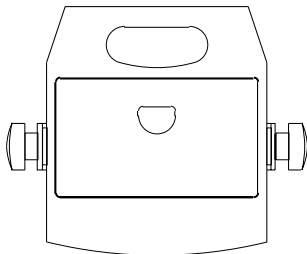


Side view

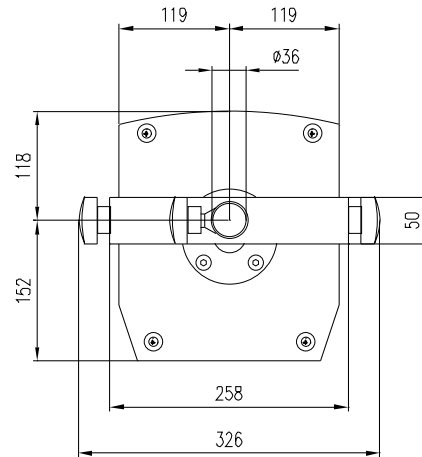


SHP2 mit Stativadapter \varnothing 36mm
Bestellnr. 851 021
SHP2 with standadapter \varnothing 36mm
Order number 851 021

Top view

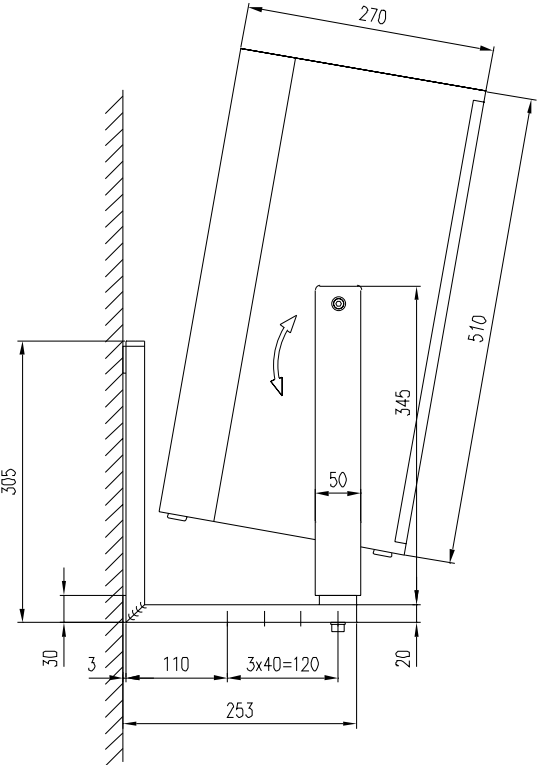


Bottom view

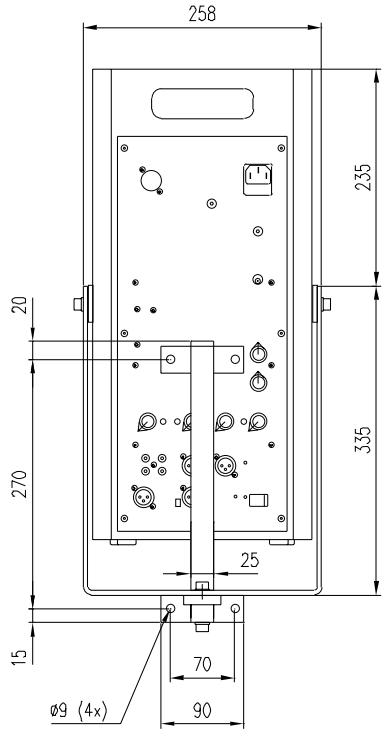


FP2 CD – Installation with wall bracket WHP2

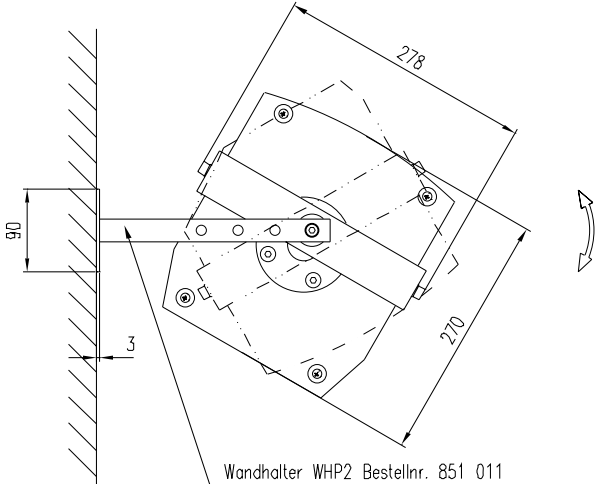
Front view



Rear view



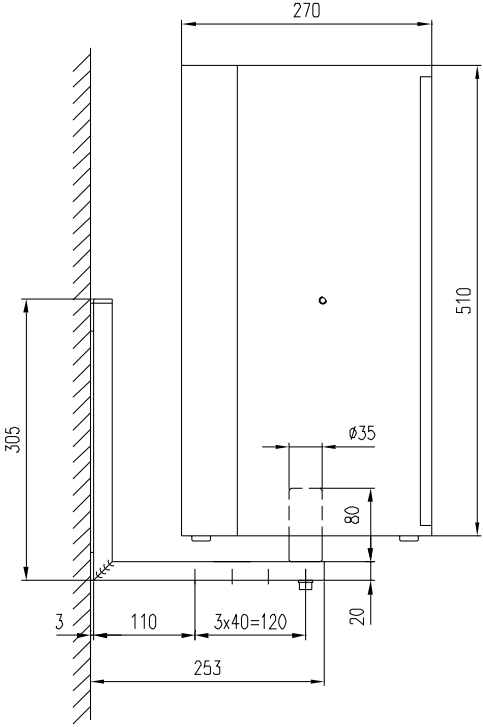
Bottom view



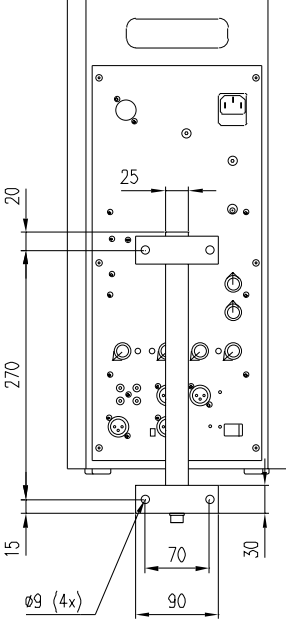
Wandhalter WHP2 Bestellnr. 851 011
 Wall bracket WHP2 order number 851 011

FP2 CD – Installation with wall bracket WHP1

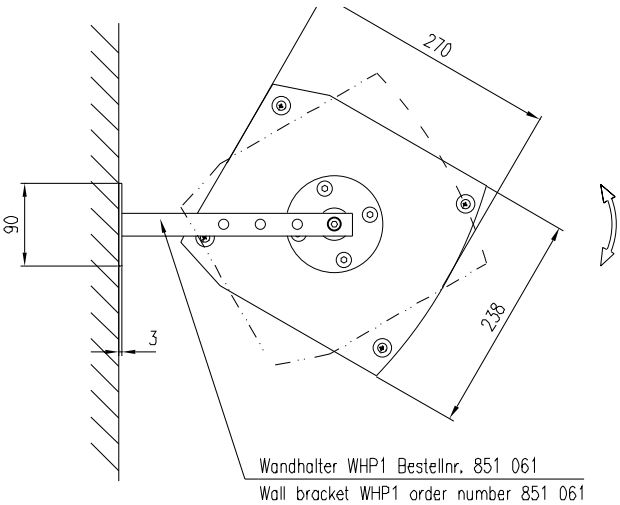
Side view



Rear view



Bottom view



FP2 CD – Options

Radio microphone systems Fohhn® Fohhn® EP-64 Set

Specially designed for use with the Easy Port and ADESSO systems they can only be used in combination with Fohhn speaker systems.

The user friendliness, versatility, compact dimensions and low weight of these highquality UHF systems makes them stand out from the crowd.



Handheld transmitters EP-64 H

The radio microphones from the EP series are elegant, robust and produce an excellent soundquality. The microphone housing is manufactured from metal. The EP-64 H has 64 frequency settings in a range between 790–814 MHz (channel 61-63). A user friendly display shows the active radio channel and the battery status. You can also select the menu settings and activate a mode that prevents the microphone from being switched off accidentally as a result of incorrect operation (lock mode). The aerial is integrated in the housing.



Pocket transmitter EP-64 P

The EP-64 P pocket transmitter has 64 frequency settings in a range between 790–814 MHz (channel 61-63). A user friendly display that shows the active radio channel and the battery status. You can also select the menu settings and activate a mode that prevents the microphone from being switched off accidentally as a result of incorrect operation (lock mode). The aerial is fixed to the housing. The robust metal sleeve allows for easy handling and covers the controls. The pocket transmitters are equipped with a socket for connecting an optional headset or clip-on microphone.



True diversity receiver EP-64 R

The receiver EP-64 R is developed for permanent installation in the Easy Port and ADESSO systems. It has 64 frequency settings in a range between 790–814 MHz (channel 61-63). The channels are quick and easy to change from the front. The two receiver aerials (true diversity) are integrated in the speakerhousing and are not visible from the outside. The integral receiver switches on automatically when the speaker system is switched on.



Clip-on microphone AS-4

For connecting to pocket transmitters EP-64 P.



Headset microphone HS-4

For connecting to pocket transmitters EP-64 P.



2 receivers Fohhn EP-64 R can be installed in Fohhn Easy Port FP2.



The EP-64 enables you to work with up to 5 separate radio microphone systems simultaneously.

FP2 CD – Options

Passive additional loudspeaker: Fohhn® Easy Port FP2 Slave

It allows to generate sound in other areas of the venue and for larger audiences. It can be attached to a stand and placed in the correct position to disperse a clear sound to the whole audience. The speaker is connected to an appropriately configured FP2 Pro via a speakon cable.



Description

Passive additional loudspeaker FP2 slave allows to generate sound in other areas of the venue and for larger audiences. It can be attached to a stand and placed in the correct position to disperse a clear sound to the whole audience. The speaker is connected to an appropriately configured FP2 or ADESSO via a speakon cable. For sound production in extra areas, side rooms, etc.

Accessoires

Rain cover, Transport bag; Loudspeaker stand with accessoires (SHP2 Stand bracket, Music Tray, Transport bag); WHP2 Wall bracket, pivots and tilts

Technical Specifications

Power output	120W
Components	8" / tweeter with short horn
Efficiency 1W / 1m	100dB
SPL peak	125dB
Frequency response (-6dB)	65Hz - 20kHz
Dispersion H x V	80° x 80°
Dimensions (WxHxD)	24 x 51 x 27cm
Weight	9kg
Default color	black

SOUNDS PERFECT. IS PERFECT.

Fohhn audio systems. The ultimate all-round audio experience.



■ German quality
■ engineered and made
■ by Fohhn®

Fohhn Audio AG

Hohes Gestade 3-5
D-72622 Nürtingen
Germany

Tel. +49 7022 93323-0

Fax +49 7022 93324-0

www.fohhn.com

info@fohhn.com