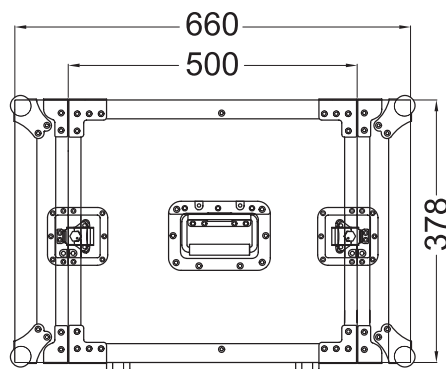
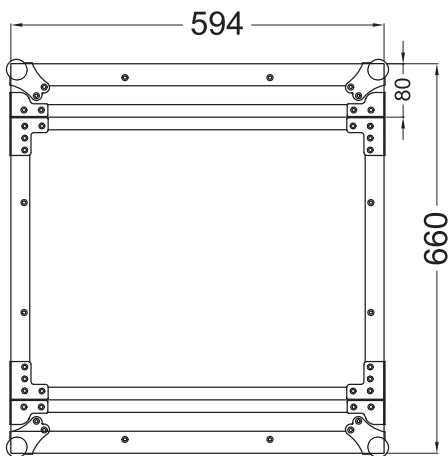


INFO SHEET

TWIN DOOR 6U RACK CASE

Model Number: RHCA6UE

A Rhino branded 19" rackmount Flight Case. Finished in black. Standard 6U capacity. Removable front and rear doors with double butterfly clasps. Single fold-flat handle on two faces. Four rubber feet supplied. Shockproofing provided by 25mm dense foam.



Order Code	Width (mm)	Height (mm)	Depth (mm)	Weight (mm)
J01579	594	378	660	27.0

